

# Instruction Manual

GAIA POLE  
STAGE

## General Information

Thank you for purchasing a Gaia Pole. Our engineering team spends a lot of time researching, designing and developing our poles. We want the Gaia Pole to be the best pole on the market, so criticism and suggestions are always welcome. Please contact us if you have any comments or suggestions on how to improve our products.

To use your pole SAFELY and get the best out of it, it is extremely important that you READ this instruction manual completely and, most importantly, understand it!

**If you have any questions before assembling, installing or using your Gaia Pole, please email [sales@gaiapole.com](mailto:sales@gaiapole.com) and request technical support.**



## 1. INSTRUCTIONS

### **DO NOT TAKE OUT OF THE PACKAGE AND DO NOT USE YOUR GAIA POLE**

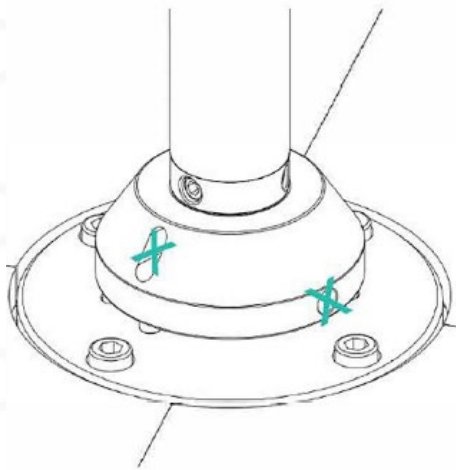
if you are in any doubt about how to assemble it or how to use it. As the stage is used in circumstances beyond the direct control of Gaia Pole, its distributors, sellers or any other associated persons or companies cannot be held responsible for any accident, injury to the user or third parties or damage to property. This does not exclude your normal consumer rights. If in doubt, ask before using the pole. Follow the simple yet explicit instructions in this manual to get the best results from your Gaia Pole.

This manual presents the instructions for use of the Gaia Pole Stage. We present in this manual only the most common cases of misuse. There are a series of possible abuses and errors in each equipment, which are impossible to enumerate, therefore, this manual will mention only the most common ones.

## 2. CAUTIONS

The Gaia Pole does not assume any responsibility for any damage caused to people or materials results of the bad use of their products, incorrect installation and lack of maintenance.

The Stage Gaia Pole can be set up on any horizontal area. The area do not need to be completely regular. You can set up the Stage from the most stable, such as floors; to the most unstable ones, such as sand, lawn, parallelepiped, stones.



### ATTENTION:

THE SCREWS SHOWN IN THE FIGURE NEVER SHOULD BE MANIPULATED. THEY ARE REGULATED IN THE FACTORY AND THEY ARE MADE FOR GUIDING AND POSITIONING THE QUICK LOCK, THEN YOU MAY NEVER TOUCH ON THEM.

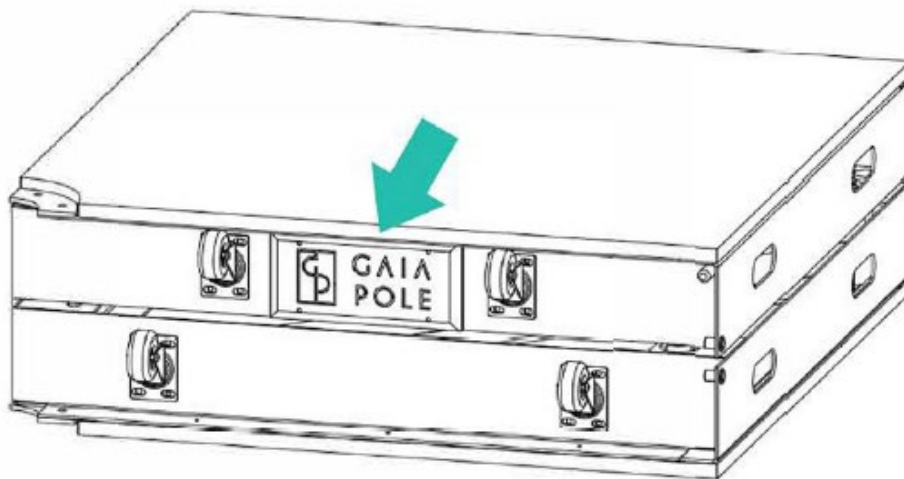
## 3. GAIA POLE STAGE

Your Gaia Stage is provided into 2 volumes. Two beautiful trolley bags.

To assemble it, follow the step by step:

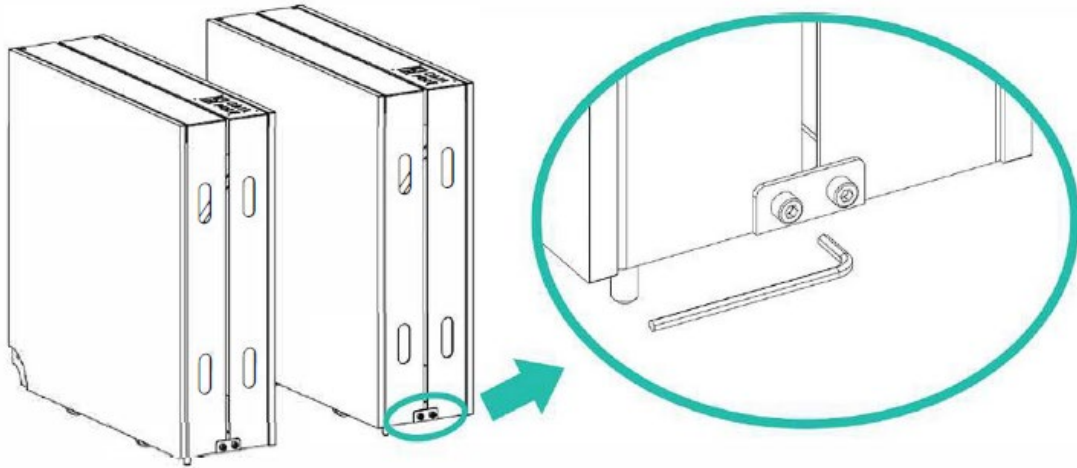
### INSTALLATION

1. At the bottom of one of the bags, between the wheels, you will find a case with all the necessary components for installing the product. Detach the case that is glued with velcro.

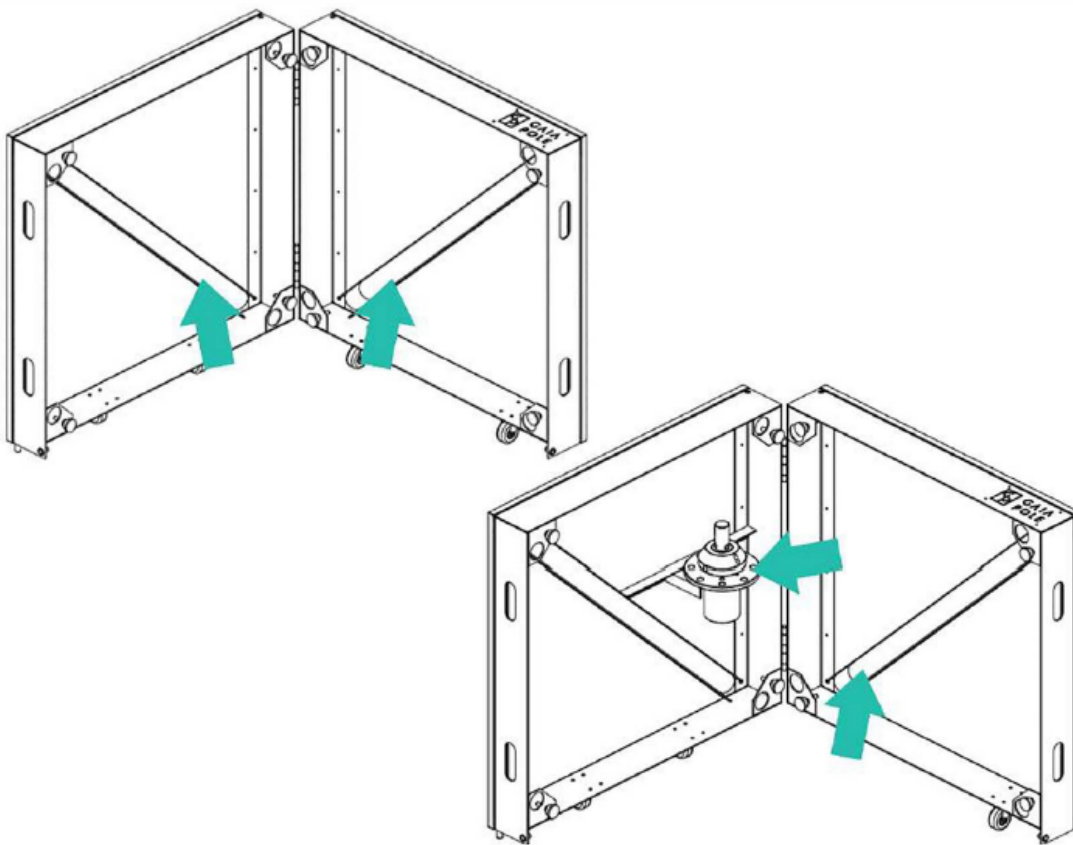


2. Inside the case you will find the following items:
  - 1 Allen key number 4
  - 1 Allen key number 5
  - 1 Allen key number 6
  - 2 side fixing latches
3. Using the Allen key number 5, loosen the screws indicated to open the trolley bags.

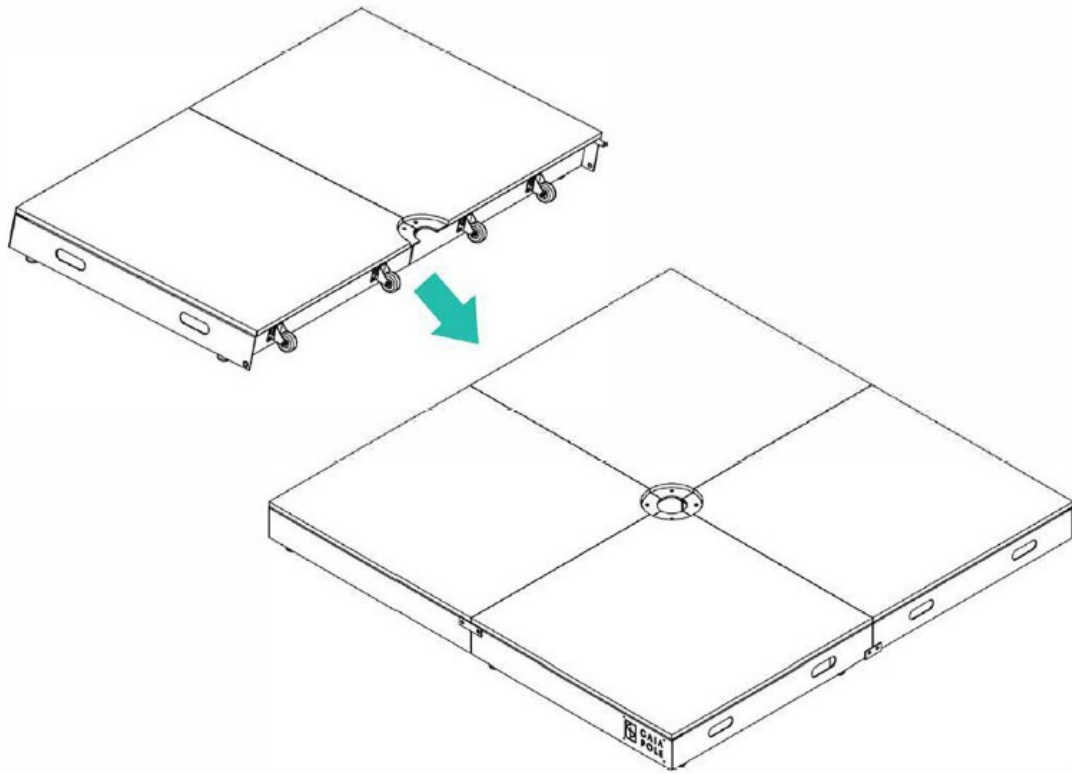
**ATTENTION:** Do not open the bags fully.



4. It is recommended to open a 90° initially. Then, remove the poles and the housing bearing inside the cases.

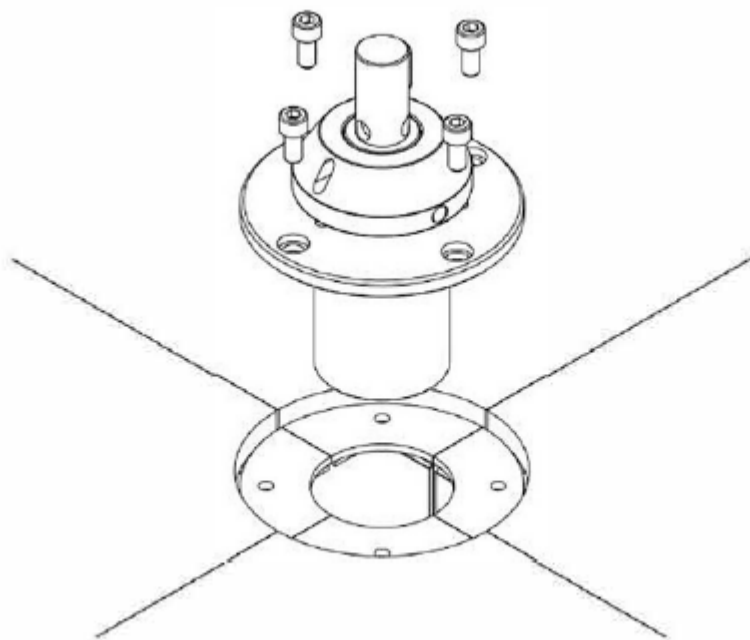


5. Now, open the case fully and rest it on the floor. Do this same procedure with both and fit one half on the other.



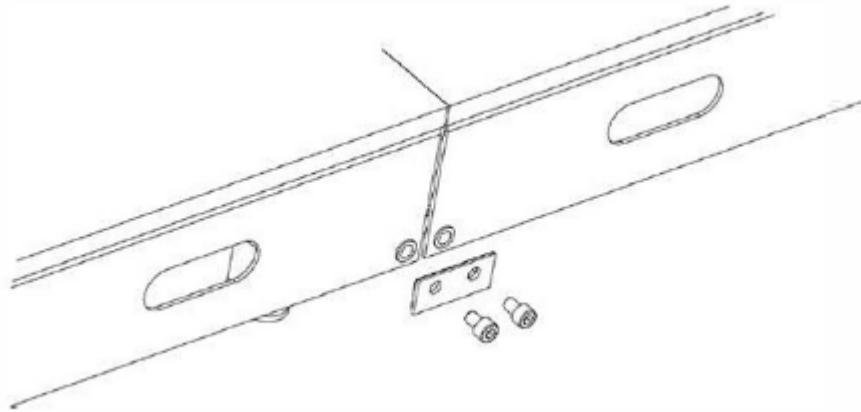
6. Fit the housing bearing in the center of the stage and with the aid of the Allen key number 6, insert all the 4 (four) screws.

ATTENTION: Fit all screws before fully tightening. Tighten the "X".

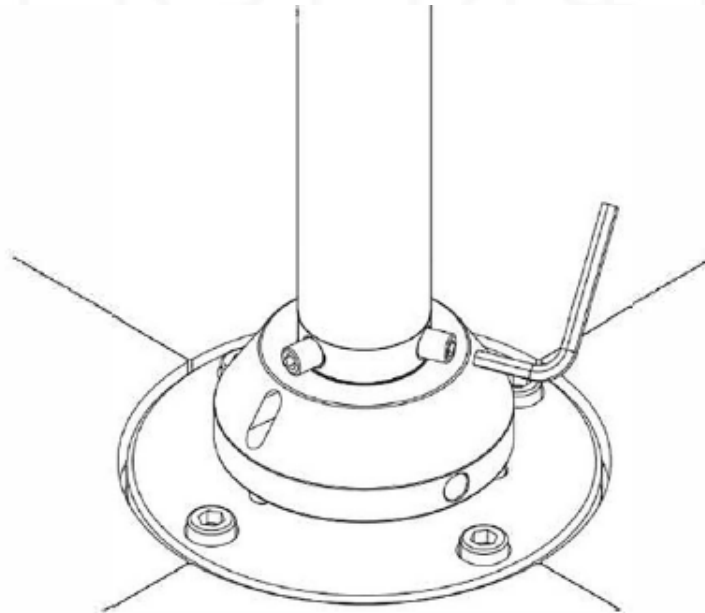




7. Using the Allen key number 5, install the side fixing latches.

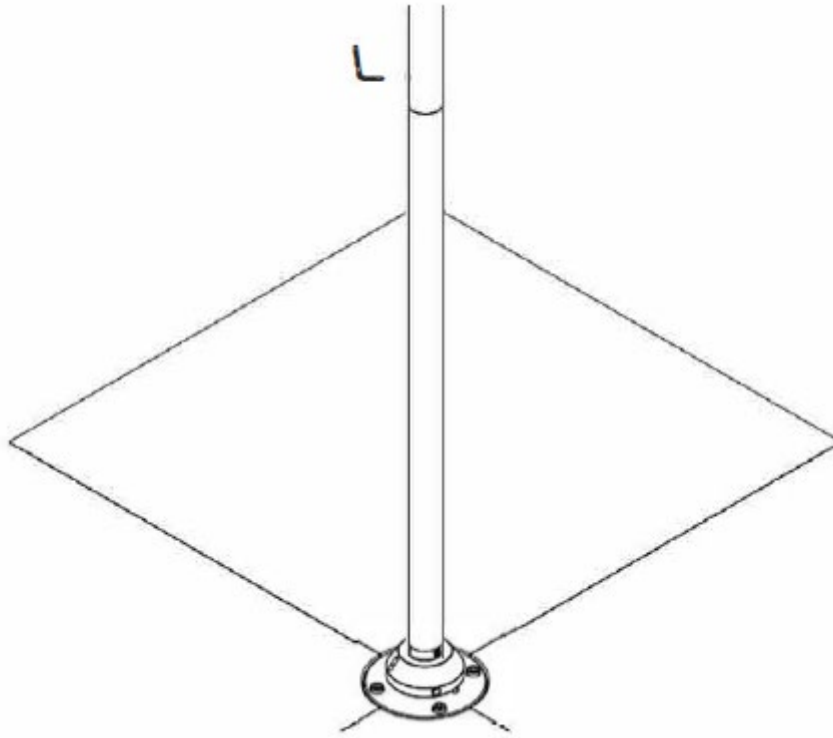


8. Fit the lower bar to the housing bearing and tighten the 3 side screws using the Allen key number 4.



9. Fit the middle bar and tighten the side screw.

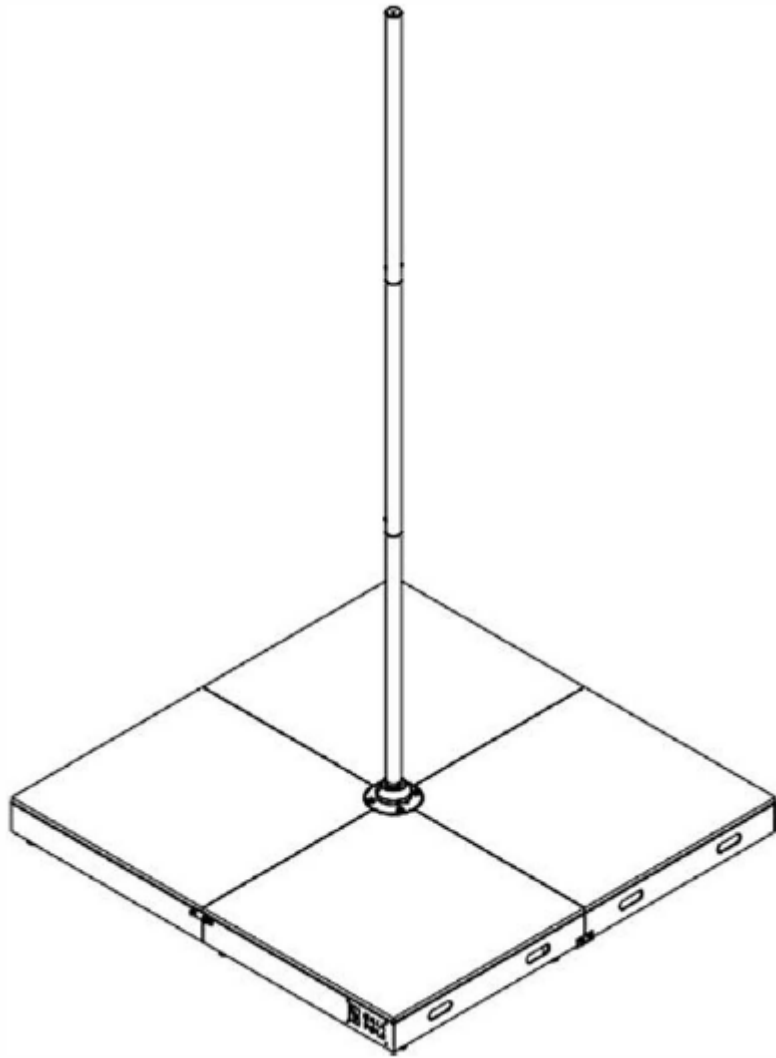




10. Finally, fit the top bar and tighten the side screw.

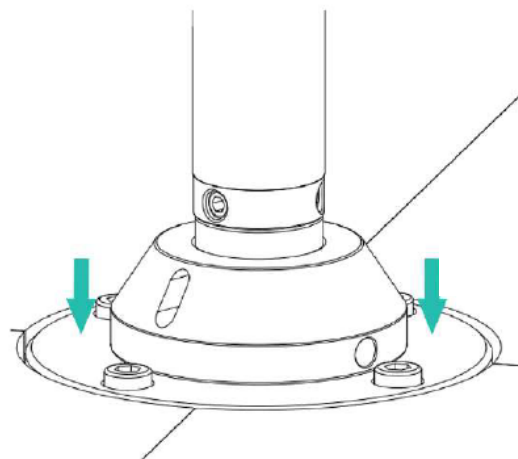


READY! YOUR PORTABLE STAGE GAIA POLE IS BUILT AND READY TO BE USED.

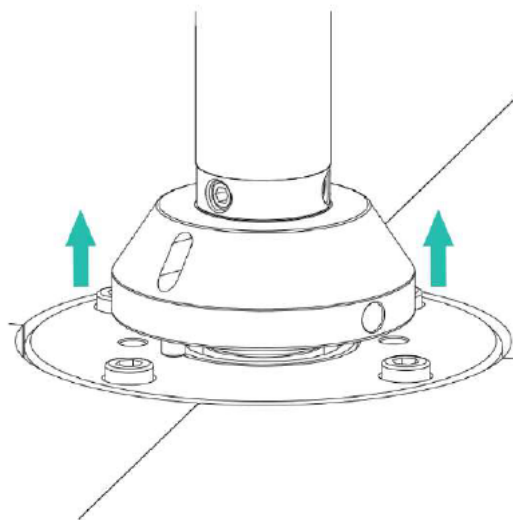


## SWITCHING BETWEEN STATIC AND SPINNING

To lock and unlock your pole just pull the top of the docking base or snap it back down.



**STATIC**



**SPINNING**

## FAQ

### 1. The Stage is spinner?

Yes, it is. You can switch between static and spinning in an easy and fast way. You just need to move (up or down) a piece located in the bottom base of the pole.

### 2. Which is the weight of this equipment?

The Gaia Pole Stage is 101 kg (222 lbs).

### 3. Can I use the Stage outdoor?

Yes, the stage can be used outdoors, but be aware of the weather. Prevent your stage from receiving too much sun or rain.

### 4. Can I install the Stage by myself?

Yes, you can, the installation is very easy and you can set it up by yourself, you can store it in the two suitcases that have wheels that help a lot to move it around. For transportation, however, you are going to need an extra hand, each suitcase has more than 110 lbs, so two people are needed to put it in and take it out of a car for example.

### 5. What should I use to clean my Stage?

The clean of the tube must be made only with alcohol, you must not use an abrasive material (that can scratch), just a clean cloth. It is not indicated splash water on the stage. The bases are MDF and there are bearings in the housing bearing, so avoid contact with water as much as possible. If your stage happens to receive water, we recommend that you dry it as soon as possible and, if possible, pass compressed air everywhere. After the product has completely dried, use a lubricant (the most known is the WD40) on all screws, hinges, keys, wheels and on the housing bearing.

### 6. Is it necessary to lube the Stage?

There is no need to lubricate any part, however it is necessary to clean the stage very well after using. Every 3 months we recommend using a degreaser / lubricant (the best known is the WD40) on all screws, hinges, keys, casters, housing bearing and the pole's connections. It will help to keep the components protected from moisture, salt air, sand and dirt.





+55 47 98890-1704



sales@gaiapole.com



www.global.gaiapole.com



@gaiapole

