

# Flying Pole

## Instruction Manual



# C O N T E N T S

## **03** General Information

---

## **04** Instructions

---

## **05** Package Content

---

## **06** Installation

---



## General Information

### **Thank you for choosing Gaia Pole!**

Our engineering team invests time and technology in developing safe and high-performance equipment.

To ensure maximum **safety and efficiency** of your pole, it is essential that you read and understand this manual before installation and use.

If you have any questions, contact our technical support before assembling or using the equipment: ✉ [global@gaiapole.com](mailto:global@gaiapole.com)

Feedback and suggestions are always welcome to help us improve our products.

Unrivaled grip. Unmatched spin.  
Undeniably





## Instructions

**⚠ ATTENTION: DO NOT REMOVE FROM THE PACKAGING OR USE YOUR POLE if you have any doubts about assembly or usage.**

The use of the pole occurs beyond Gaia Pole's control, its distributors, and resellers. Therefore, we are not responsible for any accidents, injuries, or property damage resulting from improper installation or incorrect use. This does not affect your consumer rights.

**✦ Before using, make sure you understand all instructions in this manual. If in doubt, contact technical support.**

This manual provides guidelines for the installation and safe use of your Gaia Pole, including common mistakes. However, not all possible misuses can be listed. To ensure safety, follow all instructions carefully.



## PACKAGE CONTENT – FLYING POLE

### PACKAGE CONTENT

Your Flying Pole is shipped in a sturdy, sealed cardboard box to ensure the product's integrity.

◆ Included Items:

- 1x Allen Wrench #4;
- 1x Allen Wrench #5;
- 1x Installation Kit (Optional)
- 1x Carrying Case (Optional)
- 1x Whirlpool Base Plate (Optional)

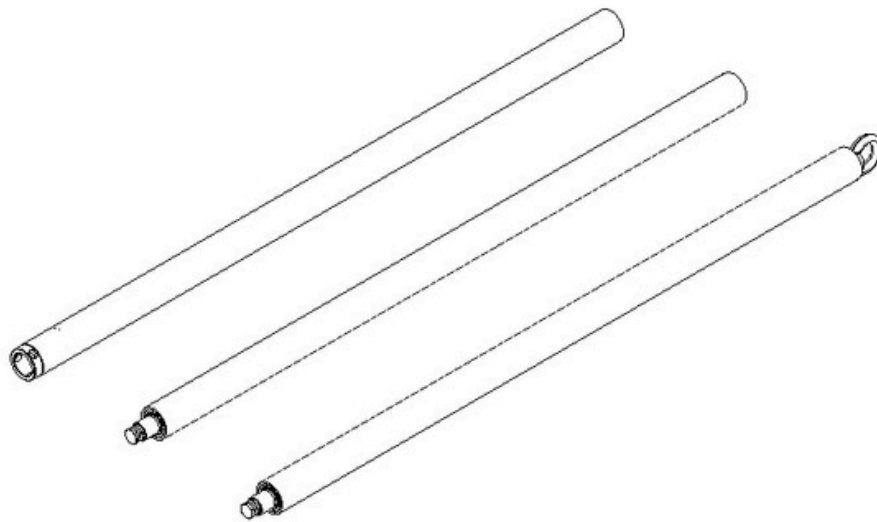
⚠ Before starting the installation, please check if all items are present and in perfect condition. If you identify any issues, please contact technical support.



## ASSEMBLY

### 1. Components:

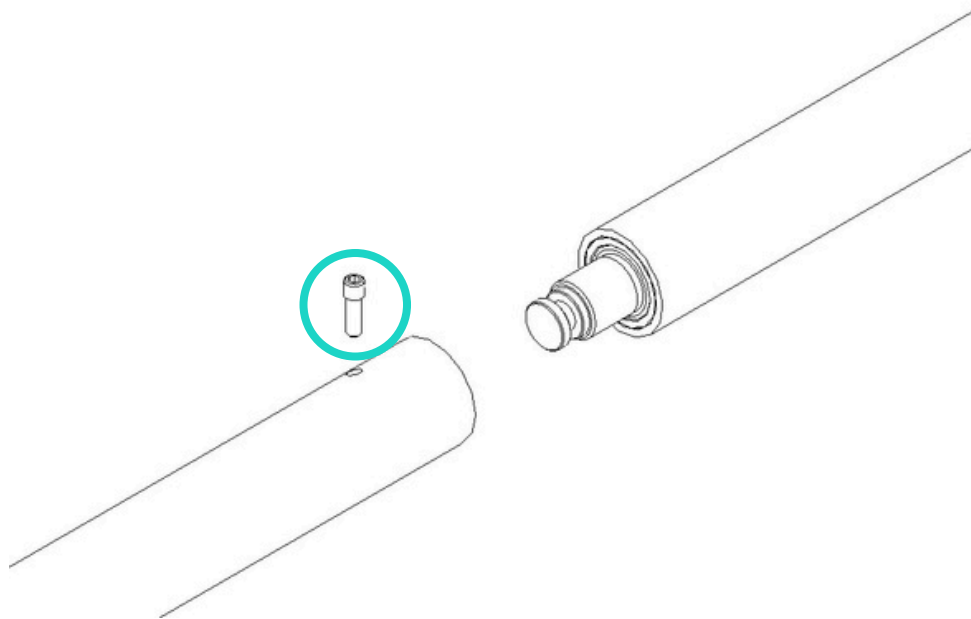
- The Flying Pole consists of three main parts that must be correctly assembled to ensure the safety and functionality of the equipment.





## 2. Joining the Parts:

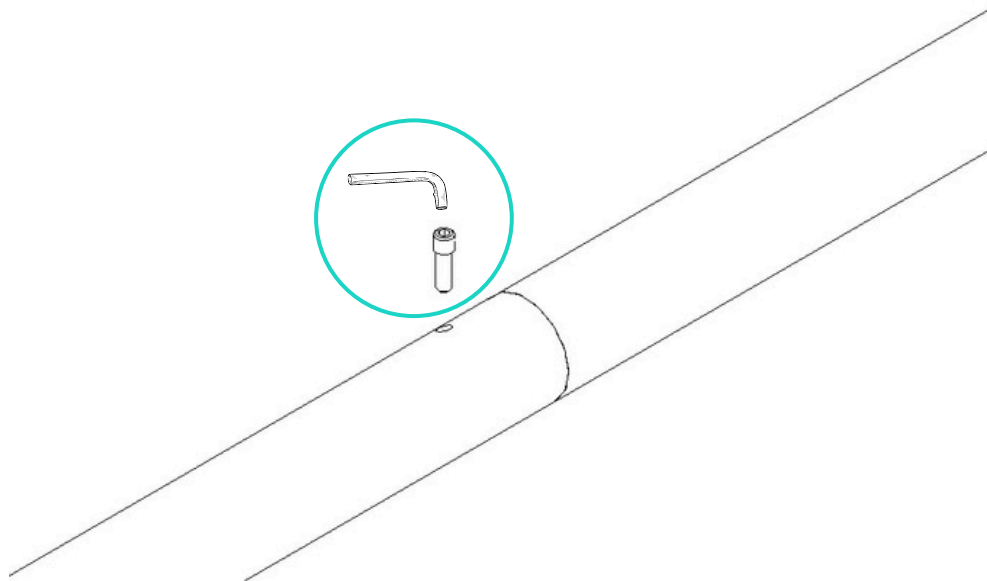
- Using the Allen wrench #4, fully remove the screws from the ends of the parts.
- Screw the parts together until they are firmly connected and free of any gaps.





### 3. Securing the Safety Locks:

- Using the Allen wrench #4, insert the safety locks all the way in.
- The locks may experience moderate resistance when being inserted; ensure they are properly positioned.

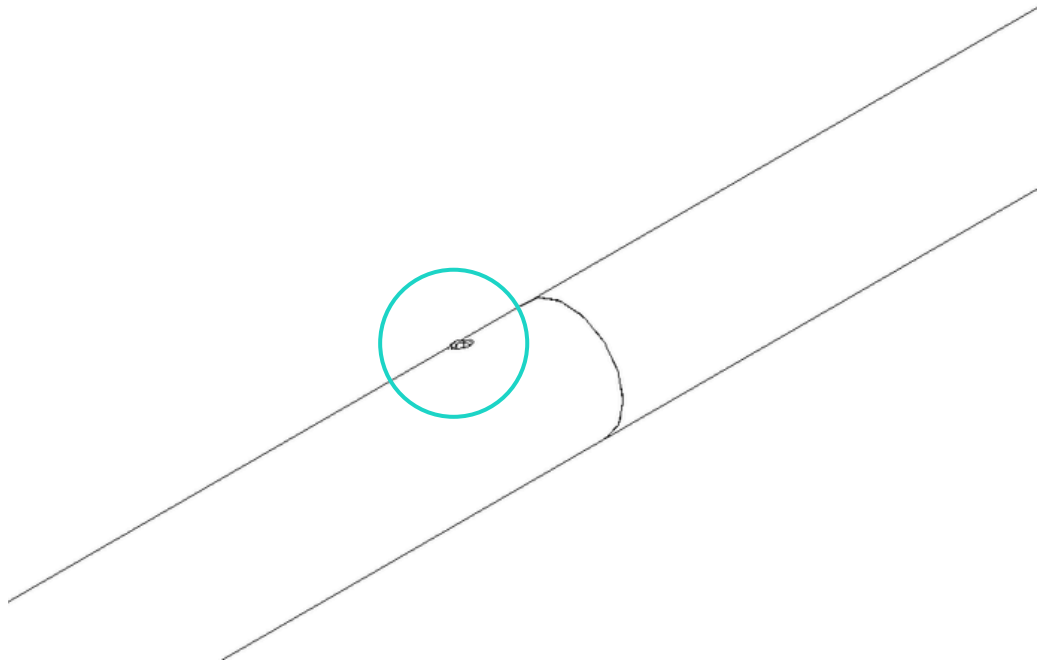






## 4. Final Check:

- Confirm that all parts are properly assembled, rigid, and free of any unwanted movement.
- Ensure that the safety locks are fully inserted into the corresponding cavities.



## 5. Safe Use:

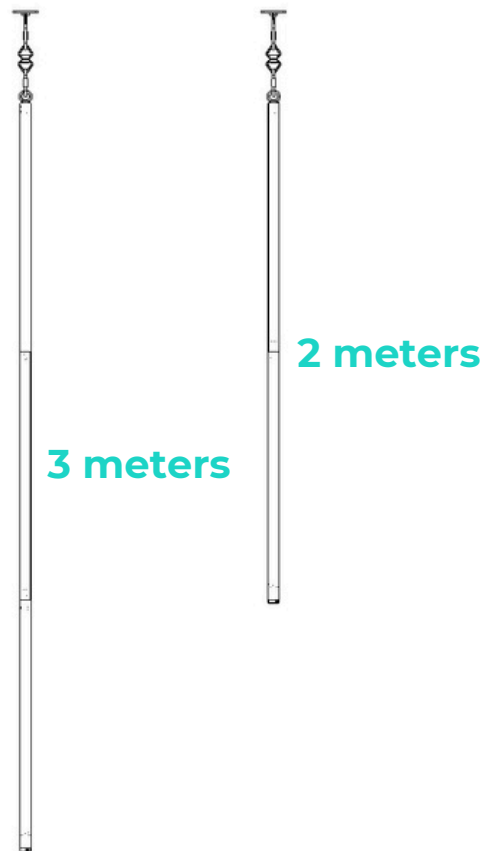
- Once assembled, the Flying Pole will be ready for use. Always perform a check before each use to ensure the integrity of the equipment and your safety.



## INSTALLATION

### 1. Installation Suggestions:

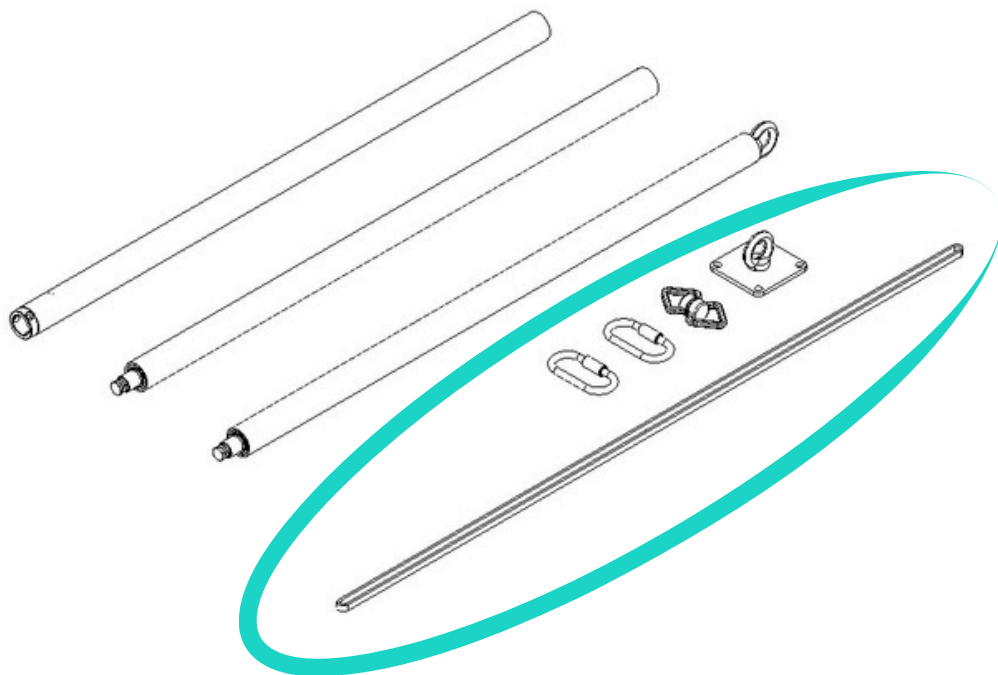
- Below are some installation options. There are other methods available, and you are free to choose the one that best suits your needs.
- The device can be used with a length of 2m or 3m, using 2 or 3 of its parts.





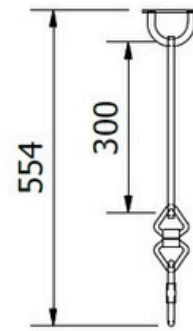
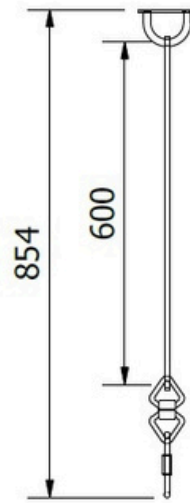
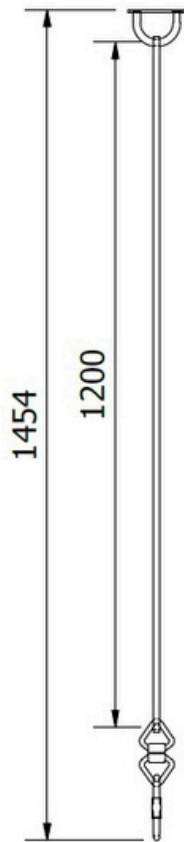
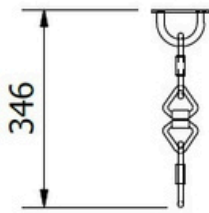
## 2. If you have purchased the installation kit from Gaia Pole, you received the following items along with your Flying Pole:

- 1x Ceiling Mount;
- 2x Carabiner Clips;
- 1x Aluminium Swivel;
- 1x 120cm Anchor Strap





### 3. Below are some possible setups:

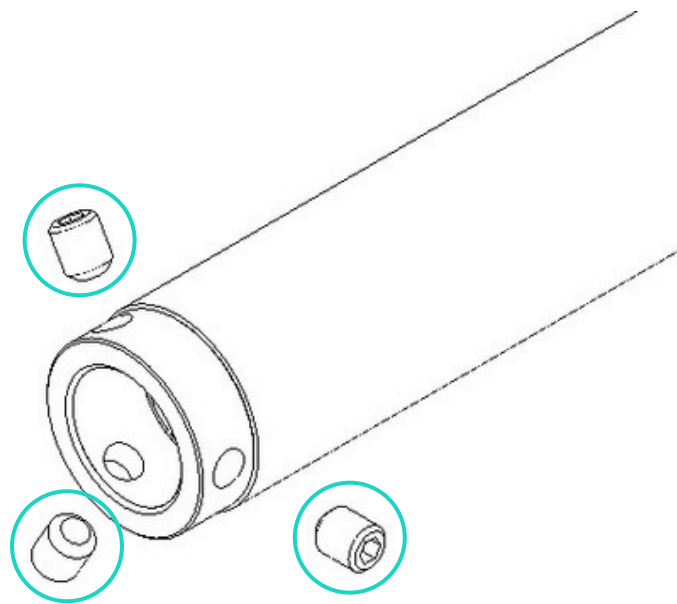




## USING WITH WHIRLPOOL BASE PLATE

### 1. Remove the 3 safety locks:

- With the help of the Allen wrench #5, remove the locks.

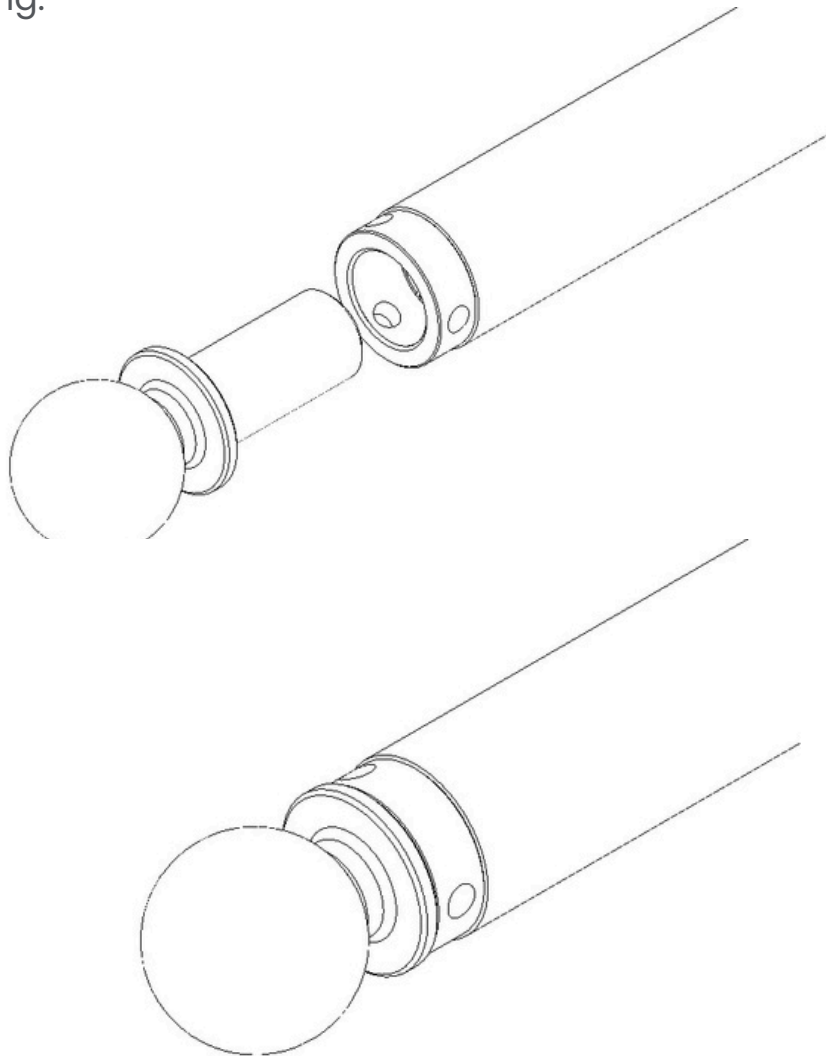




## 2. Ball Assembly:

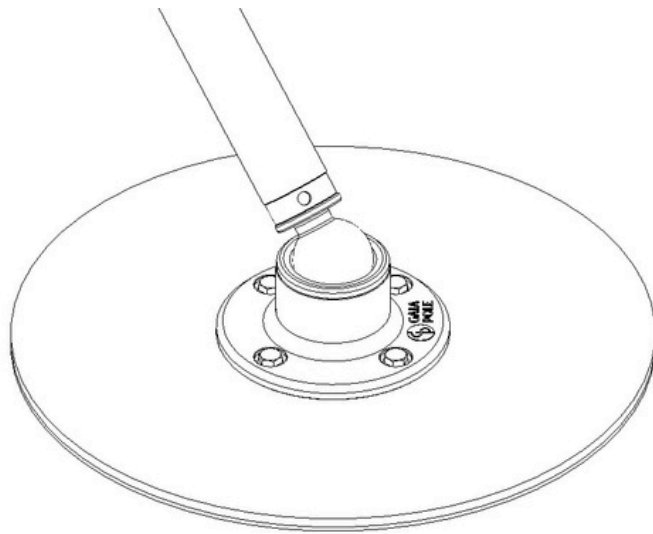
- Attach the ball to the end of the pole.

WARNING: DO NOT insert the locks to avoid damaging the threading.





3. Place the base on the ground and tilt the pole at an approximate 45° angle.

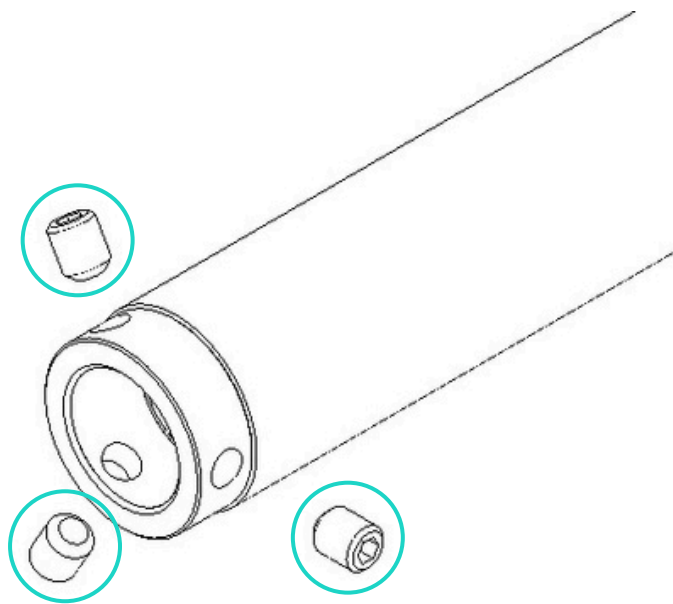




## USING ON GAIA POLE PORTABLE STAGE

### 1. Remove the 3 safety locks:

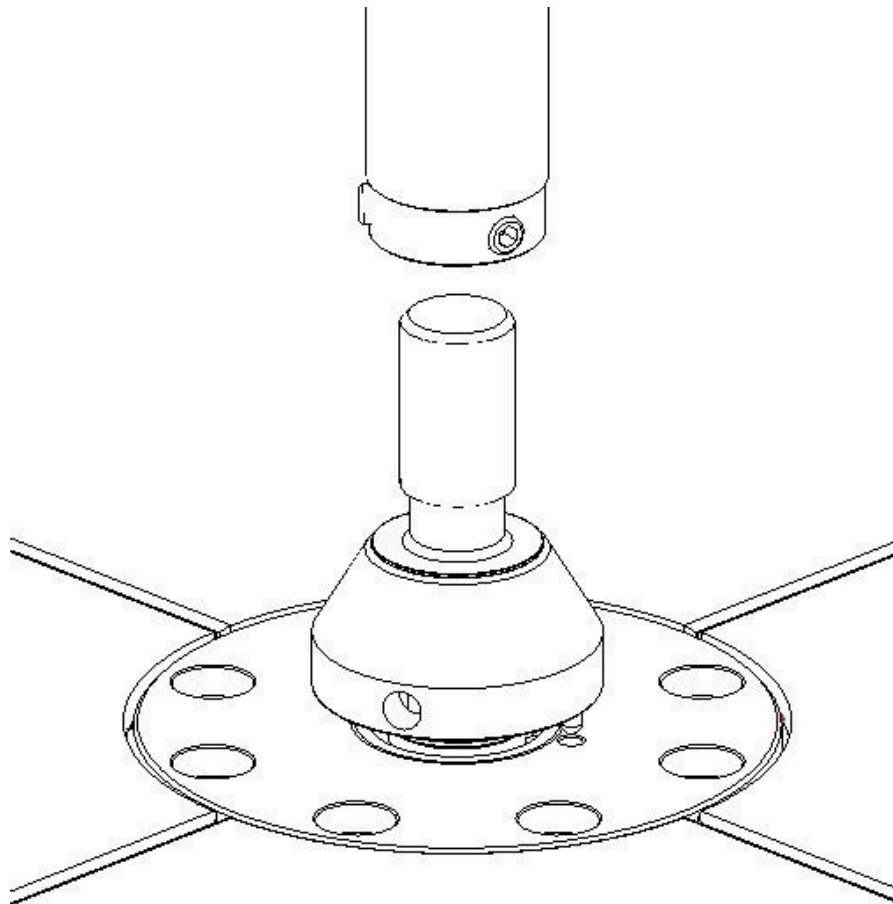
- With the help of the Allen wrench #5, remove the locks.





## 2. Assembly on Stage:

- Insert the Flying Pole into the stage.
- Tighten the locks again to ensure the fixation.





## MANUTENÇÃO E ARMAZENAMENTO

### Maintenance and Storage:

- Keep the Flying Pole in a dry and protected location.
- Regularly check the fastening of the parts and the integrity of the safety locks.
- Clean with a dry cloth and avoid using harsh chemical products.
- Hydrate the rubber with liquid or paste petroleum jelly whenever storing the product after use.

**⚠ Warning: Improper use may compromise safety. Make sure to follow the assembly and usage instructions correctly.**

Unrivaled Grip. Unmatched Spin.  
Undeniably




**G A I A**  
**P O L E**

**Contact us**

 Whatsapp: + 55 47 3842 - 2988

 [global@gaiapole.com](mailto:global@gaiapole.com)

 Rua Minas Gerais, 2860 -  
Nova Brasília | Joinville/SC  
89.214-600 - Brazil

 [gaiapole.com](http://gaiapole.com)